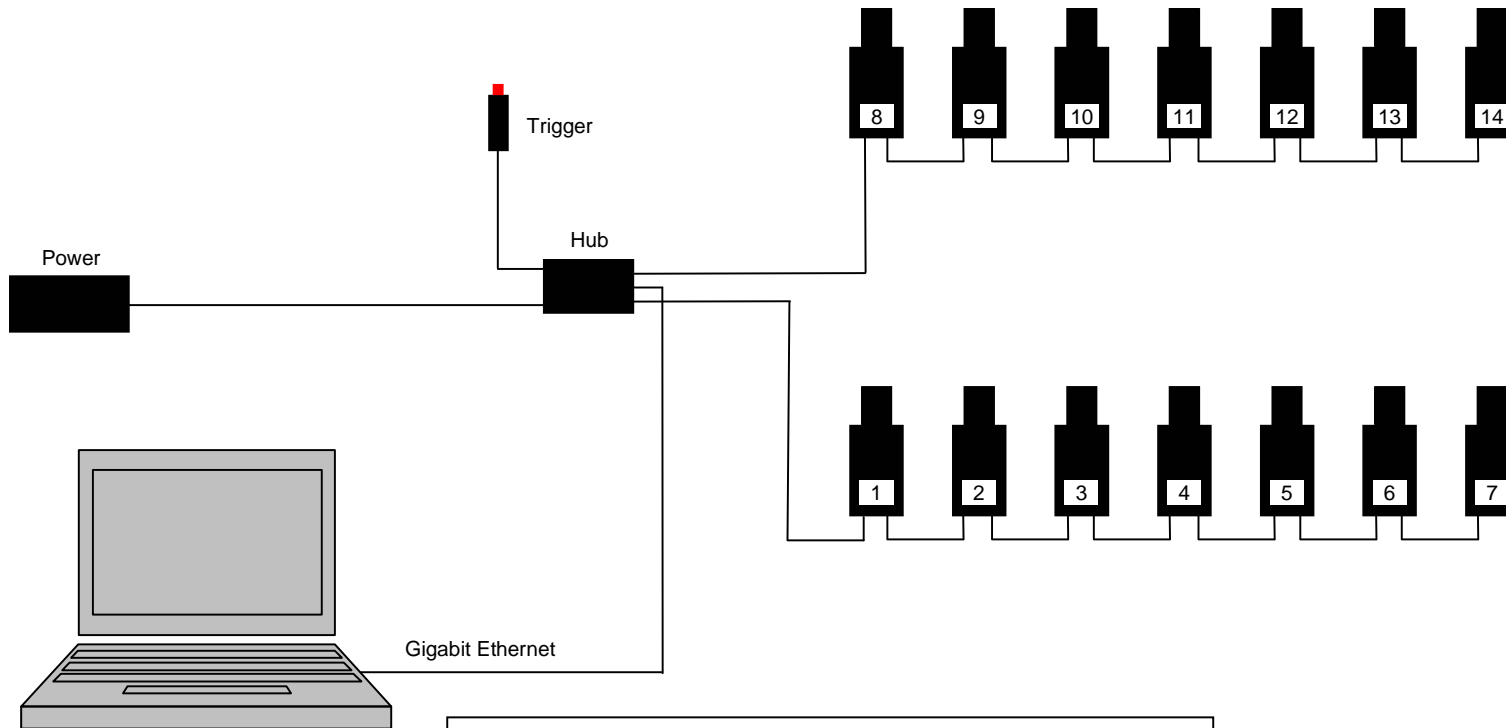


Max100 Camera Connections



Use IP address in the range 169.254.x.x. This is the default assigned by Windows. However, we recommend setting the IP address manually to 169.254.21.1 with Subnet mask 255.255.255.0.

We also recommend to turn off the Windows SSDP service. To stop and disable the SSDP service go to Windows Start->Control Panel->Administrative Tools->Services->SSDP Discovery. Stop and Disable the service.